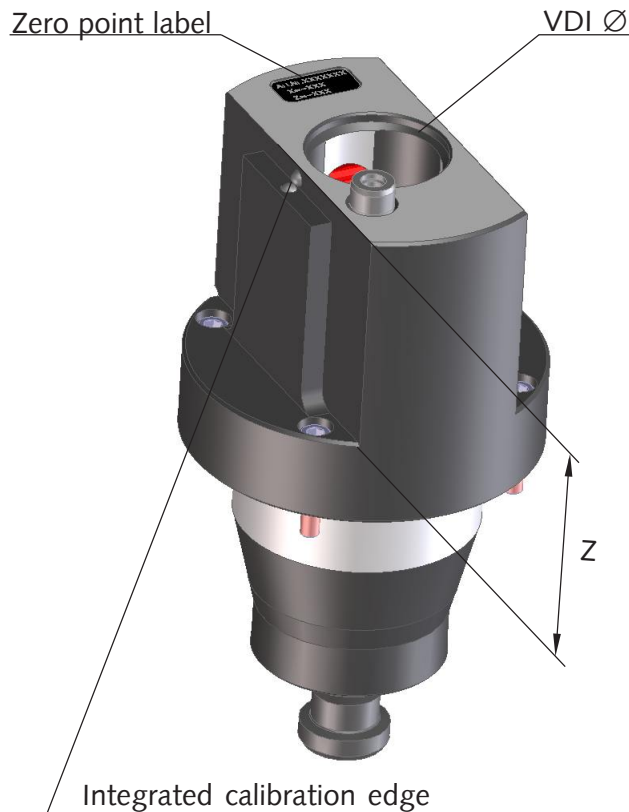


Tool post size I/VDI-straight shank Power-operated tool holder clamping



- For fixture of tools with VDI-straight shank DIN 69880
- Automatic tool holder clamping
- Integrated calibration edge
- Case-hardened, bronzed and ground
- Suitable for driven tool holders

VDI size Ø	Standard Item no.	„Z“ ¹⁾ in mm	Weight in kg
16	6 008 016	70	6,60
20	6 008 020	75	7,00
25	6 008 025	75	6,50
30	6 008 030	75	6,40
40	6 008 040	79	6,70
50	6 008 050	85	6,80
60	6 008 060	100	8,20

1) Loss in measuring length „Z“.