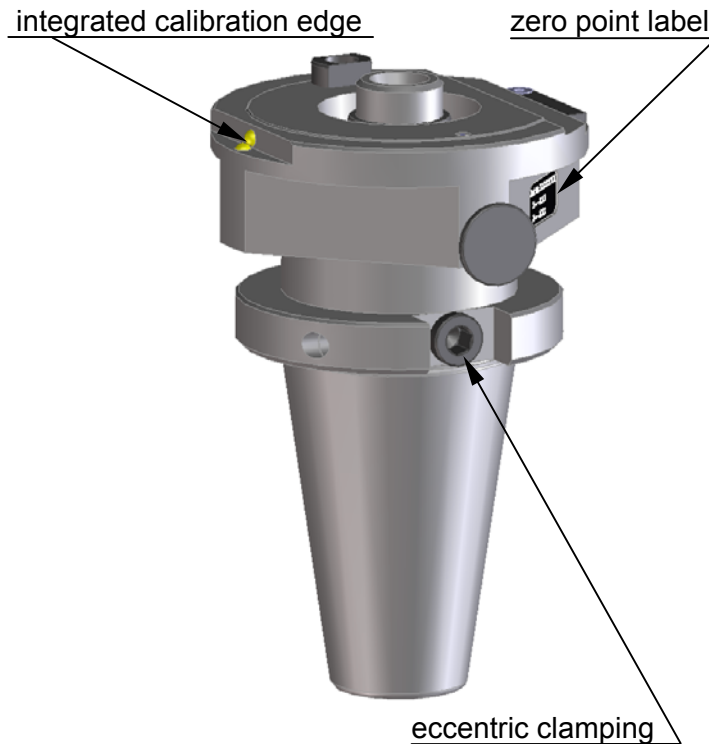


Adapter SK50 / HSK A/C/E-B/D/F eccentric clamping

»ADHSKLE«



- for holding fixture of tool shanks HSK with and without coolant tube
- manual eccentric clamping
- integrated calibration edge
- case-hardened, gunmetal finish and ground

HSK-size A/C/E-B/D/F	item no.	„Z“ ¹⁾ in mm	weight in kg
32-40	6 302 932	75	4,80
40-50	6 302 940	75	4,80
50-63	6 308 950	75	5,40
63-80	6 302 963	75	5,25
80-100	6 302 980	105	6,65
100-125	6 302 9100	105	6,85

¹⁾ loss in measuring length „Z“.